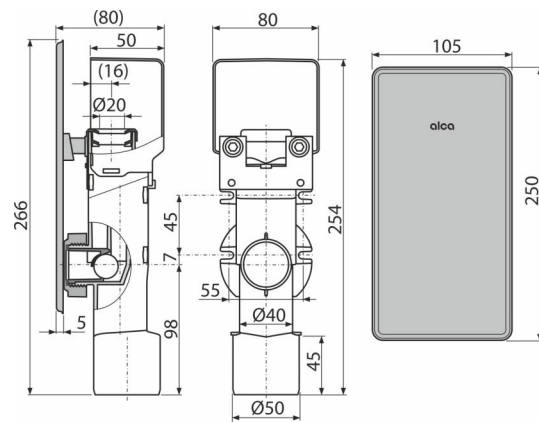


AKS4

Trap for dripping condensate, concealed, stainless steel DN40 and DN50



Application

To capture the dripping condensation

Features

- Hooks for a firmer fixing on the wall
- Installation stoppers to connect HT50
- Combined odour trap with a ball
- Cap from stainless steel with concealed mounting mechanism
- Material: polypropylene
- Connection to HT 40/50
- Service access for easy cleaning

Scope of supply

- Cover of stainless steel
- Construction cap
- Waste and trap body with a combined odour trap

Order number, Logistic information

Code	EAN	Weight (piece packing palett)	Dimensions (piece packing)	Quantity (packing palett)
AKS4	8595580522605	0,46 11,44 203,1 kg	180×70×150 590×430×390 mm	25 400 pcs

Warranty

2/3 years *

Norms

EN 274

Technical specifications

- Flow rate 3 l/min
- Thermal resistance 95 °C
- Odour trap 50 mm