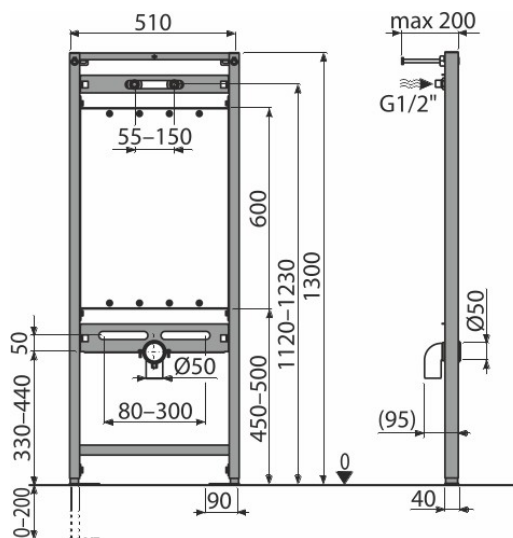


# A108/1300

Mounting frame for waste sink and faucet



## Application

For mounting wall fittings

For mounting in front of a support wall or in to a plasterboard construction

For a wall-hung waste sink with a spacing of anchor bolts up to 420 mm

## Features

- The frame allows the anchoring to a separate sufficiently strong plasterboard partition, in front of the bearing wall
- Material: powder-coated metal
- Adjustable anchor feet and a spring-lock system, with a range of 0–200 mm
- For leading Wall Fittings
- Mounting plate for waste sinks made of waterproof glued plywood
- Height adjustable partitions

## Scope of supply

- Fixation set: screw Ø8×60 – 4 pcs, dowel Ø12 – 4 pcs
- Connection fittings G1/2"–G1/2"
- Self-supporting frame

## Order number, Logistic information

Code	EAN	Weight (piece   packing   palett)	Dimensions (piece   packing)	Quantity (packing   palett)
A108/1300	8595580522735	6,14   6,14   204,3 kg	1300×510×65   1300×510×65 mm	1   30 pcs

## Warranty

2/15 years \*

## Norms

EN 14688

## Technical specifications

- Load test 150 kg