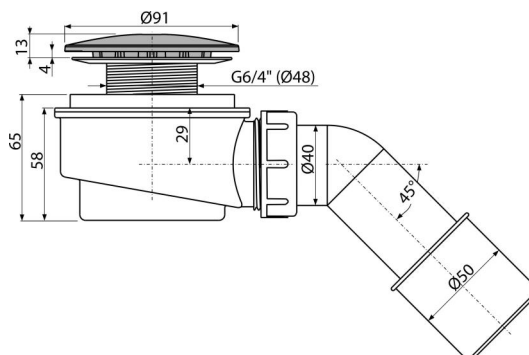


# A471CR-60

Shower waste set, chrome



### Application

To drain the water from the shower trays  
 For shower trays without overflow  
 For shower trays with a drain outlet Ø60 mm

### Features

- Material: polypropylene, thermally and chemically resistant, longitudinally welded
- Self-cleaning design of trap
- Reduced installation height 65 mm

### Scope of supply

- Elbow for connection to waste
- Assembly kit
- Chrome-plated plastic waste and trap cover
- Waste and trap body

### Order number, Logistic information

Code	EAN		Weight (piece   packing   palett)	Dimensions (piece   packing)	Quantity (packing   palett)
A471CR-60	8595580523718	60 mm	0,27   6,73   208,4 kg	170×100×170   590×240×390 mm	25   700 pcs

**Warranty**  
 2/3 years \*

### Technical specifications

- Flow rate 52 l/min
- Thermal resistance 95 °C
- Odour trap 35 mm