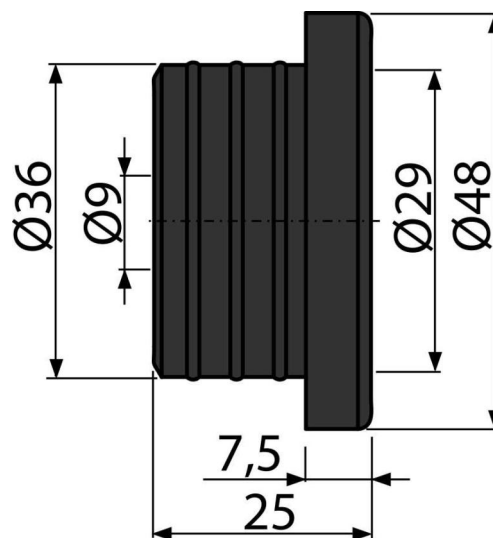


S0688-ND

Wrapping seal 36/10



Application

To connect overflow hoses into the drain pipes

Features

- Color: black
- Material: rubber
- Suitable for condensation traps or safety valves
- Ø36/10 mm

Scope of supply

- Wrapping seal

Order number, Logistic information

Code	EAN	Weight (piece packing palett)	Dimensions (piece packing)	Quantity (packing palett)
S0688-ND	8595580524043	0,02 0,02 - kg	50x30x50 - mm	1 - pc

Warranty

2/2 years *