

APZ1001-650

Shower drain with an edge for perforated grids, straight outlet

Application

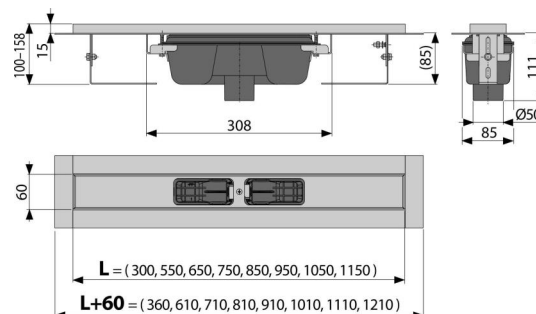
- For wheelchair access
- For wooden and prefabricated buildings
- For drainage of floor-level showers
- For installation into open spaces or near the wall of the shower area
- For perforated stainless steel grids
- For indoor use

Features

- The collar and trap are protected by foil, and the channel itself by a polystyrene insert
- Trap material: polypropylene
- Material of shower drain: stainless steel 2 mm, AISI 304, DIN 1.4301, EN1253-1
- Mechanically cleanable trap up to the waste pipe
- Possibility to buy a combined odour trap
- Linear drain from stainless steel (hardened by pickling, passivation and electrochemical polishing)
- Self-adhesive tape for quality waterproofing
- Trap firmly connected to the drain – 100% waterproofing
- Installation height from 85 mm
- Adjustable height
- The high flow rate is achieved due to the double compartment trap system
- 25 years guarantee

Scope of supply

- Fixation set: screws $\varnothing 6 \times 50$ – 2 pcs, dowels $\varnothing 10$ – 2 pcs
- Installation trough cover - polystyrene
- Protective foil covering for the drain edges and odour trap
- Protective film for trap inlet
- Self-adhesive waterproofing tape
- The shower drain is assembled with the odour trap



Order number, Logistic information

| Code | EAN | Weight (piece packing palett) | Dimensions (piece packing) | Quantity (packing palett) |
|---------------------------------|--------------------------------|--------------------------------------|---------------------------------|--------------------------------|
| APZ1001-650 | 8595580527259 | 650 mm 3,11 37,28 131,8 kg | 720x135x170 mm | 12 36 pcs |
| Warranty 2/25 years * | Norms 17240, EN 1253 | | | |

Technical specifications

- Total installation height 100-158 mm
- Minimum thickness of concrete 85 mm
- Resistance of odour trap against the pressure 590 Pa
- Waste pipe diameter 50 mm
- Flow rate 60-68,8 l/min
- Load class K3 300 kg
- Odour trap 50 mm