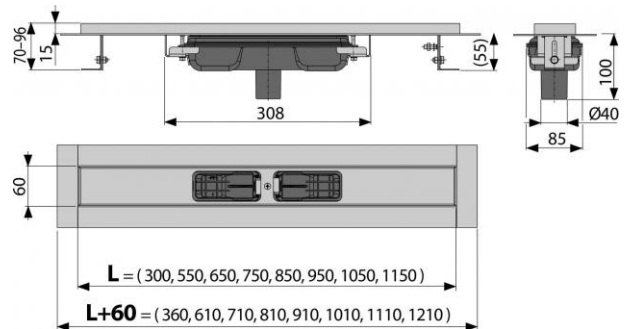


## APZ1101-1150 Low

Shower drain with an edge for perforated grids, straight outlet



### Application

- For indoor use
- For wooden and prefabricated buildings
- For drainage of floor-level showers
- For installation into open spaces or near the wall of the shower area
- For perforated stainless steel grids
- For wheelchair access
- For sites with limited floor height

### Features

- Linear drain from stainless steel (hardened by pickling, passivation and electrochemical polishing)
- Installation height from 55 mm
- Adjustable height
- The trap is firmly connected to the drain channel - 100% waterproofing
- Self-adhesive waterproofing tape for quality waterproofing
- Mechanically cleanable trap up to the waste pipe
- The collar and trap are protected by foil, and the channel itself by a polystyrene insert
- The high flow rate is achieved due to the double compartment trap system
- 25 years guarantee
- Material of drainage channel: stainless steel AISI 304, DIN 1.4301
- Trap material: polypropylene

### Norms

EN 1253

### Scope of supply

- The shower drain is assembled with the odour trap
- Anchoring set: screw Ø6x50 - 2 pcs, dowel Ø10 - 2 pcs
- Self-adhesive waterproofing tape

## APZ1101-1150 Low

Shower drain with an edge for perforated grids, straight outlet

### Scope of supply

- The collar and the odour trap inlet are covered by the protective foil
- Installation channel cover
- Anchoring set for fixing the adjustable legs: screw M6×12 - 2 pcs

### Order number

Code	EAN
APZ1101-1150	8595580527389

### Technical specifications

- Odour trap 28 mm
- Flow rate 32 l/min
- Resistance of odour trap against the pressure 575 Pa
- Waste pipe diameter 40 mm
- Minimum thickness of concrete 55 mm
- Total installation height 70-96 mm
- Load class K3 300 kg

### Guarantee

2/25 years

### Customs code

39229000

Weight - piece	4.1762 kg
Weight – packing	0. kg
Weight - pallet	kg
Dimensions - piece	1220×135×170 mm
Dimensions – packing	mm
Quantity – packing	12 pcs
Quantity – Palett	36 pcs