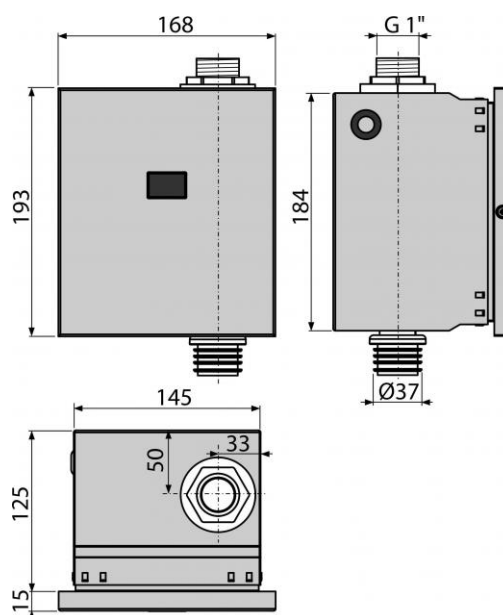


ASP3-KB

Automatic WC flushing system, metal, 6 V (DC battery operated)



Application

For automatic flushing of WC
For mounting frame A114S
For installation in plasterboard structures as well as walling-in

Features

- Battery power supply 6V
- Removable cover plate - stainless steel
- Setting via mini USB using free software available on the Alcaplast website
- Adjustable parameters: start and end time of registration, duration of flushing, automatic flush, allowing flooding, flooding time, variable settings hygienic rinse
- Pulse valve control
- Saving water using an adjustable flushing time
- Material: stainless steel

Norms

EN 55014, EN 55022, EN 61000

Scope of supply

- Sensor box made of stainless steel
- Screw set with a solenoid valve
- Cover frame made of stainless steel
- Tile template
- Waterproof power connector
- Infrared sensor adjustable via a USB port
- Fixing material for attaching the covering frame: screw M4×10 - 2 pcs
- Fixation set for attaching the box on the frame: screw 3.5×16 - 4 pcs
- Screw fitting G1"
- Battery box for 4 x AA batteries 1.5 V

ASP3-KB

Automatic WC flushing system, metal, 6 V (DC battery operated)

Order number

Code	EAN
ASP3-KB	8595580528249

Technical specifications

- Sensor power supply: 5-12 V DC
- Consumption (idle at the lowest scanning speed) 0,3 mA
- Output max. 800 mA
- Sensing distance: 0,15-1,5 m
- Wavelength equipment 950 nm
- Optimal operating pressure 0,1-0,5 MPa
- Maximum pressure 0,8 MPa
- Time adjustment of valve opening 1-30 s
- Fittings G1 "

Guarantee

2/2 years

Customs code

84818019

Weight - piece	2.855 kg
Weight – packing	34.3 kg
Weight - pallet	kg
Dimensions - piece	204×182×187 mm
Dimensions – packing	595×435×395 mm
Quantity – packing	12 pcs
Quantity – Palett	192 pcs