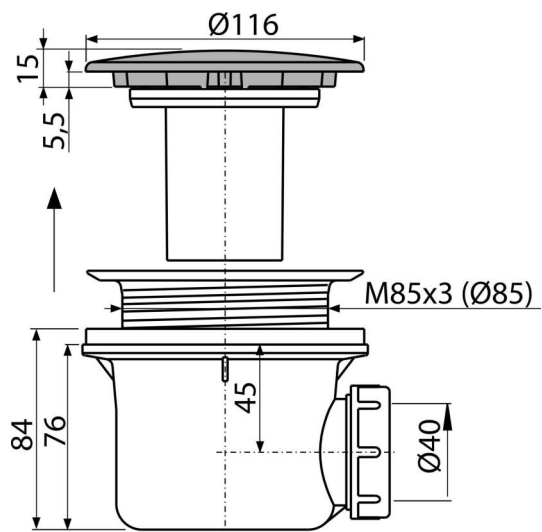


A49ANTIC

Shower waste and trap, bronze-antic



Application

To drain the water from the shower trays
For shower trays without overflow
For shower trays with a drain outlet Ø90 mm

Features

- Material: polypropylene, thermally and chemically resistant, longitudinally welded
- Waste can be connected using elbow A52
- Fully cleanable up to the waste pipe
- Building height 84 mm

Scope of supply

- Metal waste and trap cover with bronze-antic finish
- Assembly kit
- Waste and trap body

Order number, Logistic information

| Code | EAN | Weight (piece packing palett) | Dimensions (piece packing) | Quantity (packing palett) |
|----------|---------------|--------------------------------------|---------------------------------|--------------------------------|
| A49ANTIC | 8595580528430 | 0,52 12,36 366,1 kg | 150x110x140 590x240x390 mm | 24 672 pcs |

Warranty
2/3 years *

Norms
EN 274

Technical specifications

- Flow rate 43 l/min
- Thermal resistance 95 °C
- Odour trap 50 mm