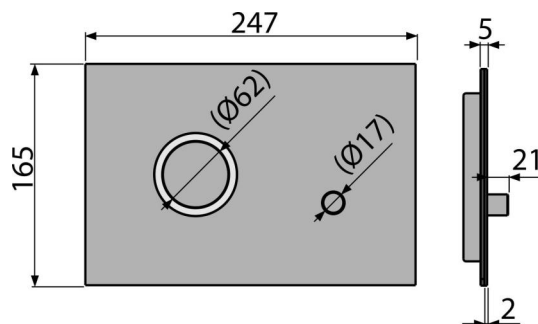


STING-INOX

Flush plate for pre-wall installation systems, inox-semi matt/polished



Application

For pre-wall installation systems and concealed WC cisterns

Features

- Precise workmanship with laser technology
- Double-acting mechanical flushing
- Compatible for all pre-wall installation systems and cisterns for building into solid walls Alca
- Material: stainless steel, painted colorless finish
- The mechanism is fully integrated into the wall
- Resistant to UV rays and external influences
- Surface finish: painted stainless steel, Anti-fingerprint with surface treatment that eliminates fingerprint smudges
- The flush plate only slightly protrudes above the tiles
- Maintenance with common detergents used in the household for plumbing fixtures and bathroom accessories

Scope of supply

- Adapter kit for the control mechanism of the flush valve
- Flush plate
- Fixing frame of the flush plate
- Threaded frame clamp 2 pcs

Order number, Logistic information

Code	EAN	Weight (piece packing palett)	Dimensions (piece packing)	Quantity (packing palett)
STING-INOX	8595580531232	1,32 13,18 389,1 kg	255x85x175 595x245x395 mm	10 280 pcs

Warranty

2/2 years *

Technical specifications

- Operating force < 20 N