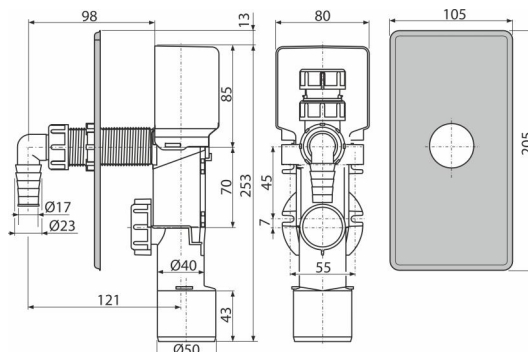


APS3P

Concealed washing machine trap with air-admittance valve, stainless steel DN40 and DN50



Application

For installation under plaster
To connect the washing machine or dishwasher

Features

- Hooks for a firmer fixing on the wall
- Installation stoppers to connect HT50
- Material: polypropylene
- Connection to HT 40/50
- Air admittance valve to equalize the vacuum in the waste system

Scope of supply

- Elbow
- Stainless steel cover
- Construction cap
- Waste and trap body with an air admittance valve

Order number, Logistic information

Code	EAN	Weight (piece packing palett)	Dimensions (piece packing)	Quantity (packing palett)
APS3P	8595580531638	0,45 11,25 199,9 kg	260×100×160 590×430×390 mm	25 400 pcs

Warranty	Customs code	Norms
2/3 years *	39229000	EN 274

Technical specifications

- Flow without aeration 8,4 l/min
- Flow with aeration 9,6 l/min
- Thermal resistance 95 °C
- Odour trap 50 mm