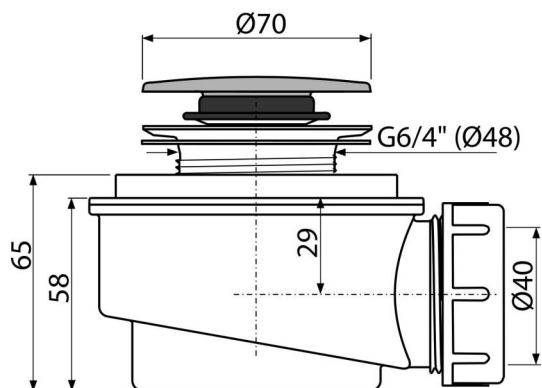


A476

Shower waste set CLICK/CLACK, chrome



Application

To drain the water from the shower trays
 For shower trays without overflow
 For shower trays with a drain outlet Ø50 mm

Features

- Material: polypropylene, thermally and chemically resistant, longitudinally welded
- Waste can be connected using elbow A52
- Self-cleaning design of trap
- Reduced installation height 65 mm
- Closing waste by CLICK/CLACK

Scope of supply

- Assembly kit
- Chrome-plated plastic plug
- Waste and trap body

Order number, Logistic information

Code	EAN	Weight (piece packing palett)	Dimensions (piece packing)	Quantity (packing palett)
A476	8595580536107	0,24 7,13 219,8 kg	120×100×110 590×240×390 mm	30 840 pcs

Warranty

2/3 years *

Norms

EN 274

Technical specifications

- Flow rate 52 l/min
- Thermal resistance 95 °C
- Odour trap 35 mm