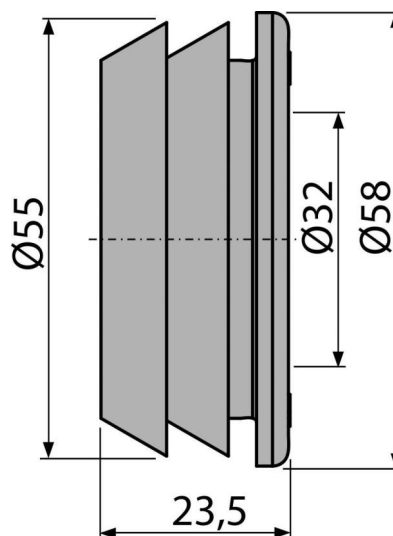


Z0026-ND

Wrapping seal 60/32



Application

To adjust the diameter of the pipe

Features

- Color: white
- Material: rubber
- Ø60/32 mm

Scope of supply

- Wrapping seal

Order number, Logistic information

Code	EAN	Weight (piece packing palett)	Dimensions (piece packing)	Quantity (packing palett)
Z0026-ND	8595580536350	0,03 0,03 - kg	60x24x60 - mm	1 - pc

Warranty

2/2 years *