

C212

Wall concealed WC cistern - Basicmodul KOMFORT

Application

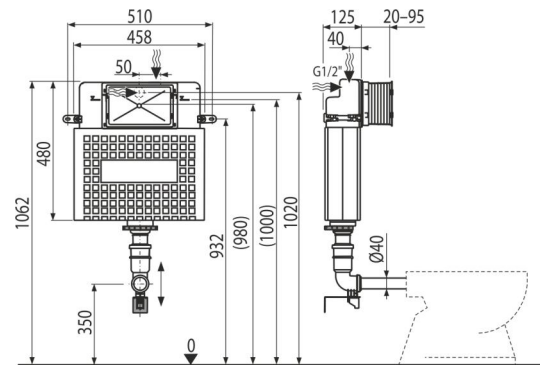
For installing the stand-alone WC or a WC that is firmly embedded in the floor
For walling in and around – wet process

Features

- Dual flush independently adjustable with hygienic reserve
- Compatible with all ALCA flush plates
- The construction of the polystyrene insulation simplifies the process of walling-in, prevents condensation forming on the surface of the tank and dampens the vibrations from the tank into the building structure
- The service opening cover simplifies assembly and prevents the penetration of moisture and impurities
- Installation depth adjustable from 20–95 mm
- Mounting height 1062 mm
- Suitable for installation of remote or sensor flushing
- The cistern is made of one piece, thus ensuring 100% impermeability
- Water supply from the rear/top
- Maintenance work without using any tools
- Installation depth 125 mm

Scope of supply

- Fixation set: screw Ø5×40 – 5 pcs, dowel Ø8 – 5 pcs
- Service opening cover is simply adjustable, screws 4 pcs
- Cistern with fill and flush valve
- Connection set Ø40 for connection to the toilet bowl from the water supply tank
- End-caps set for protecting the connecting holes during installation of the system
- Fittings 1/2" water connection with the integrated angle valve Schell 1/2–3/8"
- Telescopic mounting brackets 2 pcs



Order number, Logistic information

Code	EAN	Weight (piece packing palett)	Dimensions (piece packing)	Quantity (packing palett)
C212	8595580537586	3,86 3,86 97,3 kg	1050×480×140 1050×140×480 mm	1 20 pcs

Warranty

2/10 years

Norms

EN 14124, EN 14055

Technical specifications

- Recommended range of water pressure 0,3-0,5 MPa
- Functional range of water pressure 0,05-1,6 MPa
- Hygienic reserve 3 l
- Small flush 2,5-3,5 l
- Water volume in the cistern 9 l
- Water connection from the back or top via mounting holes G1/2"
- Factory setting of small flush 3 l
- Factory setting of large flush 6 l
- Big flush 6-9 l