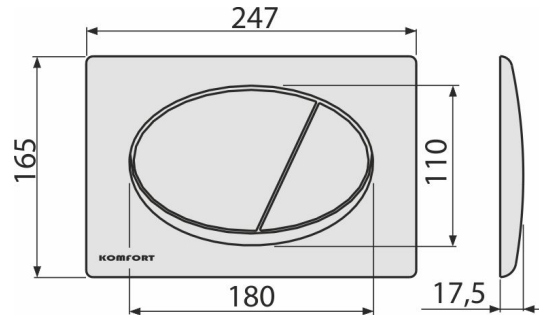


## C71

Flush plate for pre-wall installation systems, chrome-polished



### Application

For pre-wall installation systems and concealed WC cisterns

### Features

- Double-acting mechanical flushing
- Compatible for all pre-wall installation systems and cisterns for building into solid walls Alca
- Material: plastic
- Finish: chrome-polished

### Scope of supply

- Template for correct flush plate setup
- Flushing mechanism screw 2 pcs
- Flush plate
- Fixing frame of the flush plate
- Threaded frame clamp 2 pcs

### Order number, Logistic information

Code	EAN	Weight (piece   packing   palett)	Dimensions (piece   packing)	Quantity (packing   palett)
C71	8595580537623	0,35   8,66   262,6 kg	250×40×175   595×245×395 mm	25   700 pcs

Warranty 2/2 years  
 Customs code 39269097

- ### Technical specifications
- Operating force < 20 N