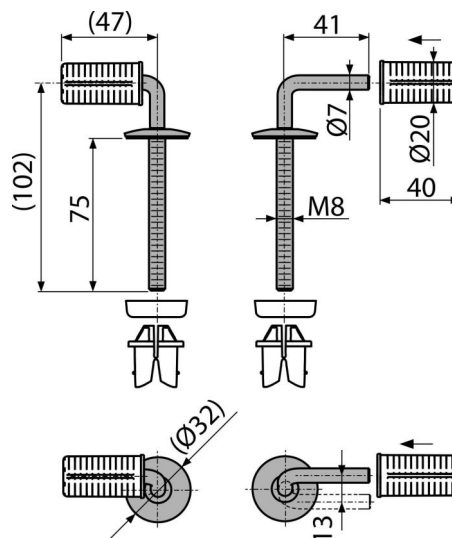


P096

Hinges for A601



Application

For WC seat A601

Features

- Thanks to the rotating hinges you can adjust the overlap length of the seat on the WC pan
- Metal body
- Simple clamping system for quick and easy installation

Scope of supply

- Pin 2 pcs
- Stainless steel hinge body 2 pcs
- Quick-release nut 2 pcs

Order number, Logistic information

Code	EAN	Weight (piece packing palett)	Dimensions (piece packing)	Quantity (packing palett)
P096	8595580537807	0,15 0,15 - kg	115x50x50 - mm	1 - pc

Warranty

2/2 years *