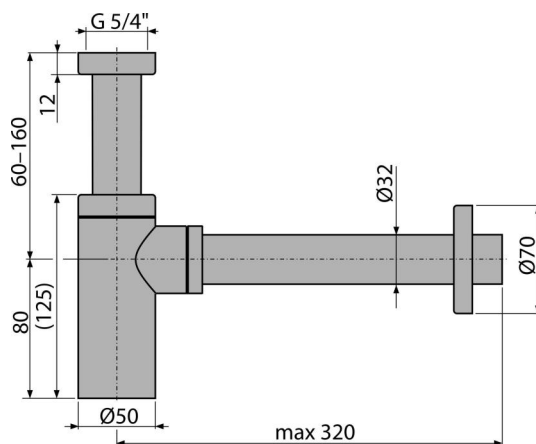


A400ANTIC

Wash-basin trap DESIGN DN32, bronze-antic



Application

For wash-basin

Features

- Material: brass with bronze-antic finish
- Connection to waste pipe Ø32 mm
- High scratch resistance

Scope of supply

- Nut to connect wash-basin waste 5/4"
- Metal rosette
- Waste and trap body

Order number, Logistic information

Code	EAN	Weight (piece packing palett)	Dimensions (piece packing)	Quantity (packing palett)
A400ANTIC	8595580539702	0,90 10,77 321,5 kg	330x70x150 590x240x390 mm	12 336 pcs

Warranty	Customs code	Norms
2/3 years *	74182000	EN 274

Technical specifications

- Flow rate 30 l/min