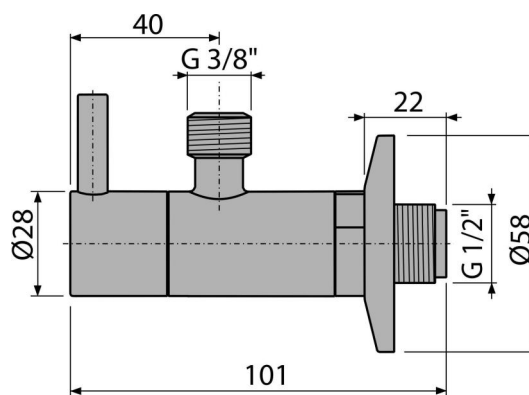
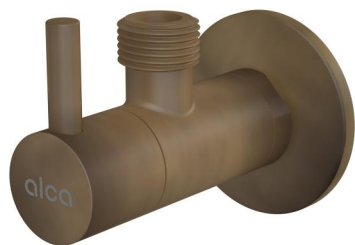


ARV001-ANTIC

Angle valve with a filter 1/2"x3/8", bronze-antic



Application

For installation on plaster
For the connection of deck mounted faucet

Features

- Design compatible with wash-basin trap A400, bronze-antic
- Round design
- Material: metal with bronze-antic finish
- Includes dirt filter

Scope of supply

- Metal rosette
- Valve

Order number, Logistic information

Code	EAN	Weight (piece packing palett)	Dimensions (piece packing)	Quantity (packing palett)
ARV001-ANTIC	8595580539719	0,31 18,87 548,4 kg	150x45x65 390x240x300 mm	60 1680 pcs

Warranty 2/3 years * **Customs code** 84818019

Technical specifications

- Hose connector G 3/8 "
- Thread G 1/2 "