

A566-273133-80

Bath waste and trap for whirlpool bathtubs with overflow filler, metal

Application

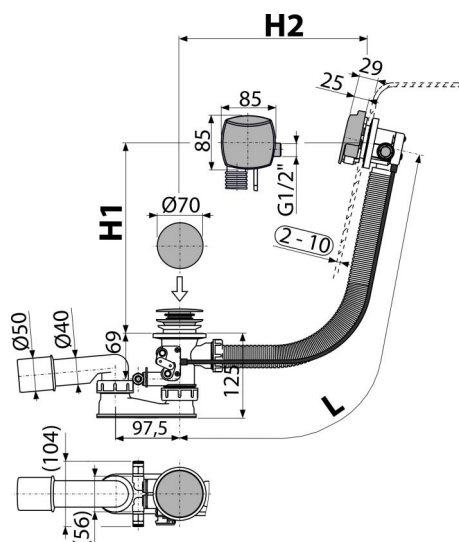
- For whirlpool baths
- For filling the bath by overflow
- To drain the water from the bath to the waste
- For bathtubs with drain outlet Ø52 mm

Features

- Side G1/2" fitting for filling of pre-mixed water
- The length of the bathtub trap 80 cm
- Overflow flexi pipe
- Compatible with most whirlpool and pearl systems
- Space-saving design in the bathtub – visible only control knob
- Control shaft made of stainless steel
- Aerator Neoperl – easy access and exchange
- For connection serve two outlets – standard elbow
- A part of the bath waste and trap is a mechanism, that when you open the drain outlet concurrently the valves open, so that can easily drain the residual water from the whirlpool bathtub
- Closing waste by pop-up mechanism
- Water does not flow down on the side of the bathtub and does not leave marks
- Wet odour trap with swivel elbow

Scope of supply

- Assembly kit
- Chrome-plated metal control knob
- Chrome-plated metal plug
- Chrome-plated brass outlet grid
- Screw fittings with a quick connector to HMS 2 pcs
- Waste and trap body with overflow filler, overflow and discharge mechanism for HMS
- Profiled seal
- Bath overflow filler, waste and trap system
- Odour trap of polypropylene, thermally and chemically resistant, longitudinally welded



Order number, Logistic information

Code	EAN	Weight (piece packing palett)	Dimensions (piece packing)	Quantity (packing palett)
A566-273133-80	8595580541156 273133 mm	1,09 13,09 229,5 kg	380x95x210 mm	12 192 pcs

Warranty	Norms
2/3 years *	EN 274

Technical specifications

- Resistance of odour trap against the pressure 588 Pa
- Flow rate 48,6 l/min
- Overflow flow rate 33,6 l/min
- Thermal resistance 95 °C
- Odour trap 50 mm