

A566-273133-100

Bath waste and trap for whirlpool bathtubs with overflow filler, metal

Application

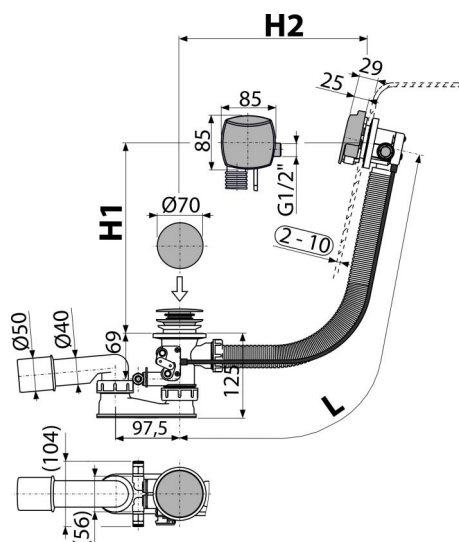
For whirlpool baths
 For filling the bath by overflow
 To drain the water from the bath to the waste
 For bathtubs with drain outlet Ø52 mm

Features

- Side G1/2" fitting for filling of pre-mixed water
- The length of the bathtub trap 100 cm
- Overflow flexi pipe
- Compatible with most whirlpool and pearl systems
- Space-saving design in the bathtub – visible only control knob
- Control shaft made of stainless steel
- Aerator Neoperl – easy access and exchange
- For connection serve two outlets – standard elbow
- A part of the bath waste and trap is a mechanism, that when you open the drain outlet concurrently the valves open, so that can easily drain the residual water from the whirlpool bathtub
- Closing waste by pop-up mechanism
- Water does not flow down on the side of the bathtub and does not leave marks
- Wet odour trap with swivel elbow

Scope of supply

- Assembly kit
- Chrome-plated metal control knob
- Chrome-plated metal plug
- Chrome-plated brass outlet grid
- Screw fittings with a quick connector to HMS 2 pcs
- Waste and trap body with overflow filler, overflow and discharge mechanism for HMS
- Profiled seal
- Bath overflow filler, waste and trap system
- Odour trap of polypropylene, thermally and chemically resistant, longitudinally welded



Order number, Logistic information

Code	EAN	Weight (piece packing palett)	Dimensions (piece packing)	Quantity (packing palett)
A566-273133-100	8595580541163	273133 mm 1,11 13,31 233,0 kg	380x95x210 mm	12 192 pcs

Warranty 2/3 years *
Norms EN 274

Technical specifications

- Resistance of odour trap against the pressure 588 Pa
- Flow rate 48,6 l/min
- Overflow flow rate 33,6 l/min
- Thermal resistance 95 °C
- Odour trap 50 mm