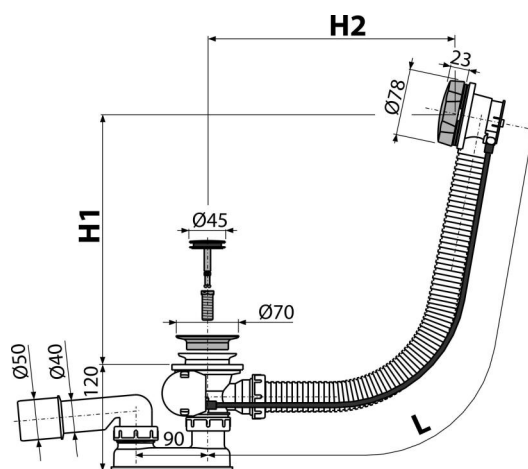


A55ANTIC-100

Bath pop-up waste and trap, bronze-antic



Application

To drain the water from the bath to the waste
For bathtubs with drain outlet Ø52 mm
For standard size bathtubs

Features

- The length of the bathtub trap 100 cm
- Overflow flexi pipe
- Closing waste by pop-up mechanism
- Bath waste and overflow system
- Wet odour trap with swivel elbow

Scope of supply

- Metal outlet grid with bronze-antic finish
- Metal control knob with bronze-antic finish
- Metal plug with bronze-antic finish
- Assembly kit
- Waste and trap body with overflow
- Profiled seal
- Odour trap of polypropylene, thermally and chemically resistant, longitudinally welded

Order number, Logistic information

Code	EAN	Weight (piece packing palett)	Dimensions (piece packing)	Quantity (packing palett)
A55ANTIC-100	8595580541293	100 mm 0,87 17,46 299,3 kg	380x85x145 mm	20 320 pcs

Warranty

2/3 years *

Norms

EN 274

Technical specifications

- Resistance of odour trap against the pressure 588 Pa
- Flow rate 51,6 l/min
- Overflow flow rate 42 l/min
- Thermal resistance 95 °C
- Odour trap 50 mm