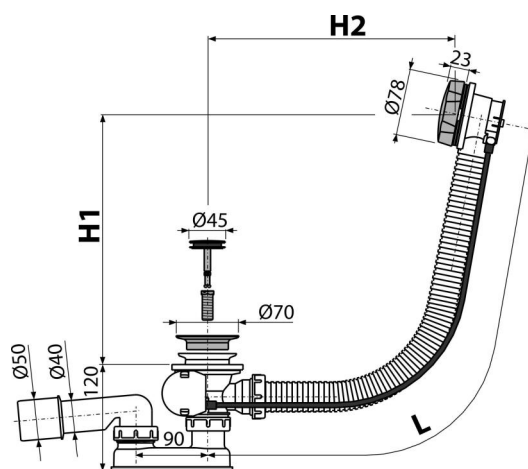


# A55ANTIC-120

Bath pop-up waste and trap, bronze-antic



### Application

To drain the water from the bath to the waste  
For bathtubs with drain outlet Ø52 mm  
For standard size bathtubs

### Features

- The length of the bathtub trap 120 cm
- Overflow flexi pipe
- Closing waste by pop-up mechanism
- Bath waste and overflow system
- Wet odour trap with swivel elbow

### Scope of supply

- Metal outlet grid with bronze-antic finish
- Metal control knob with bronze-antic finish
- Metal plug with bronze-antic finish
- Assembly kit
- Waste and trap body with overflow
- Profiled seal
- Odour trap of polypropylene, thermally and chemically resistant, longitudinally welded

### Order number, Logistic information

Code	EAN	Weight (piece   packing   palett)	Dimensions (piece   packing)	Quantity (packing   palett)
A55ANTIC-120	8595580541309	120 mm 0,89   17,74   303,8 kg	380x85x145   mm	20   320 pcs

### Warranty

2/3 years \*

### Norms

EN 274

### Technical specifications

- Resistance of odour trap against the pressure 588 Pa
- Flow rate 51,6 l/min
- Overflow flow rate 42 l/min
- Thermal resistance 95 °C
- Odour trap 50 mm