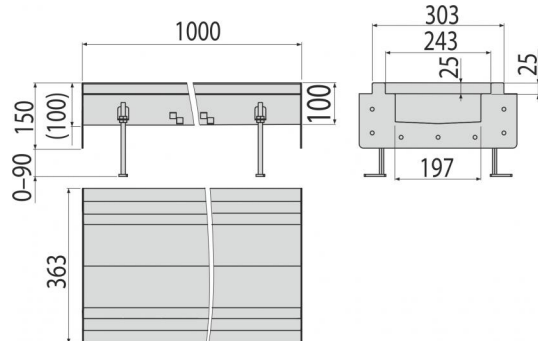


APR1-1101

Industrial box drain stainless steel AISI 304



Application

To drain large amount of water, suitable also for long distances
For drainage of large industrial facilities, and other commercial facilities inside buildings, eg. in the chemical and food industries

Features

- Insulating collar suitable for connecting to standard waterproofing
- Industrial box drain made of stainless steel (heat treated by pickling and passivation), this process guarantees that the stainless steel even after several years keeps its properties and reliable operation
- Drain body material: stainless steel 1.5 mm, DIN 1.4301
- Strong anchoring in concrete with simply adjustable legs and side anchors
- Used sealing ensures a completely watertight joint
- Width for inserting the grid 240 mm
- Easy cleaning and maintenance
- Adjustable feet range 20-140 mm
- High flow rate

Scope of supply

- Industrial box drain
- Adjustable feet 4 pcs

Order number, Logistic information

Code	EAN	Weight (kus packing palett)	Dimensions (piece packing)	Quantity (packing palett)
APR1-1101	8595580542566	13,9540 0,0000 0,0000 kg	1000x363x100 mm	1 pc

Guarantee

2/5 years

Customs code

73269098

Norms

EN 1253-1

Technical specifications

- Load class L15 1500 kg