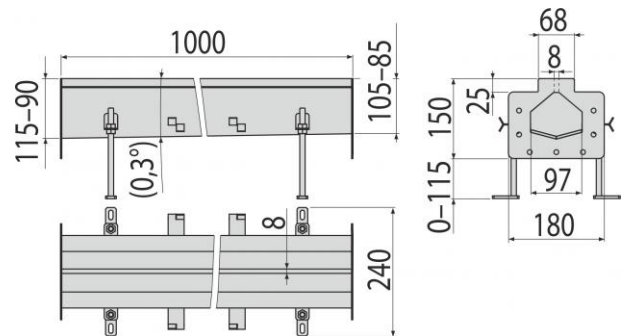


## APR2-1201S

Industrial slotted drain with a slope stainless steel AISI 316L



### Application

For drainage of large industrial facilities, and other commercial facilities inside buildings, eg. in the chemical and food industries  
To drain large amount of water, suitable also for long distances

### Features

- Industrial box drain made of stainless steel (heat treated by pickling and passivation), this process guarantees that the stainless steel even after several years keeps its properties and reliable operation
- Strong anchoring in concrete with simply adjustable legs and side anchors
- High flow rate
- Width for inserting the grid 240 mm
- Adjustable feet range 20-140 mm
- Used sealing ensures a completely watertight joint
- Easy cleaning and maintenance
- Insulating collar suitable for connecting to standard waterproofing
- Drain body material: stainless steel 1.5 mm, DIN 1.4404

### Norms

EN 1253-1

### Scope of supply

- Industrial box drain
- Adjustable feet 4 pcs

### Order number

Code	EAN
APR2-1201S	8595580542771

## APR2-1201S

Industrial slotted drain with a slope stainless steel AISI 316L

### Technical specifications

- Load test L15 1500 kg

### Guarantee

2/5 years

### Customs code

73269098

Weight - piece	7.15 kg
Weight – packing	0. kg
Weight - pallet	kg
Dimensions - piece	1000×240×150 mm
Dimensions – packing	mm
Quantity – packing	1 pc
Quantity – Palett	pcs