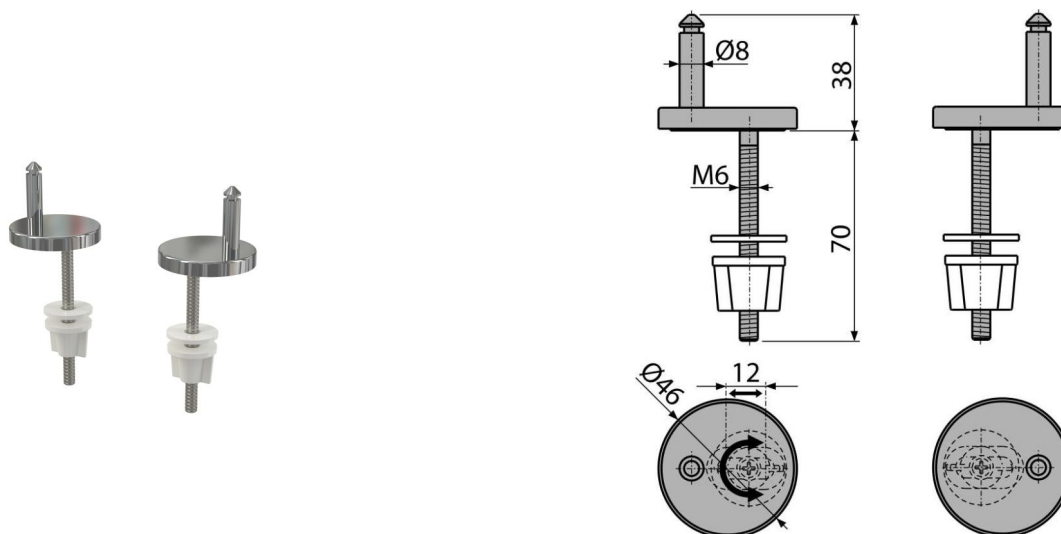


# Z0137B-ND

Hinges for A66, A67 (until 2014)



### Application

For toilet seats A66, A67 until 2014

### Features

- CLICK system – easy to clean the ceramic due to the simple seat removal function
- Metal body
- Universally adjustable in two axes

### Scope of supply

- Stainless steel screw and nuts 2 pcs
- Hinges with metal cap 2 pcs

### Order number, Logistic information

Code	EAN	Weight (piece   packing   palett)	Dimensions (piece   packing)	Quantity (packing   palett)
Z0137B-ND	8595580545390	0,11   0,11   - kg	108x92x46   - mm	1   - pc

<b>Warranty</b> 2/2 years *	<b>Customs code</b> 73249000
--------------------------------	---------------------------------