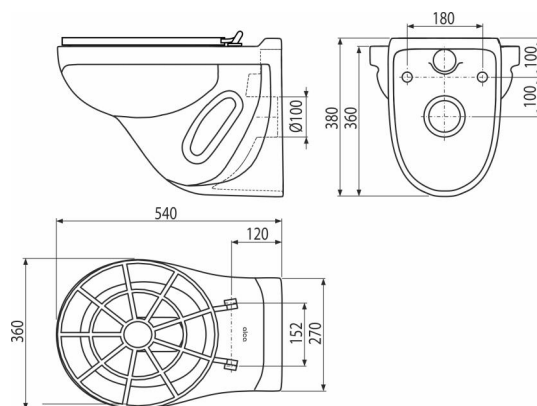


WS ALCA

Waste sink with cover grid



Application

For installing on pre-wall installation systems
For wall mounting

Features

- Color: white
- Deep flushing
- Material: ceramic
- Attachment pitch 180 mm
- Toilet bowl with grid for waste sinks with the possibility of connection to flushing systems

Scope of supply

- Grid
- Hinges
- Waste sink

Order number, Logistic information

Code	EAN	Weight (piece packing palett)	Dimensions (piece packing)	Quantity (packing palett)
WS ALCA	8595580545758	15,36 15,36 204,4 kg	640x390x440 – mm	1 12 pcs

Warranty

2/2 years *

Norms

EN 997

Technical specifications

- Volume of flushing 3/6 l