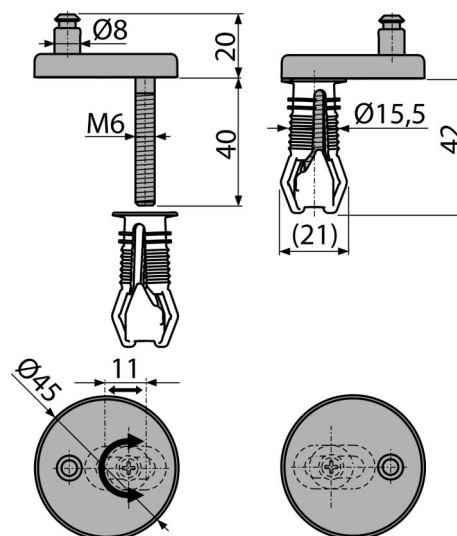


P105

Hinges with top installation, stainless steel cover



Application

For bonneted toilet bowls
 WC pans with limited mounting access
 For toilet seat A602, A603, A604, A606, A6745

Features

- CLICK system – easy to clean the ceramic due to the simple seat removal function
- Upper mounting of the hinge thanks to the dowel
- Metal body
- Universally adjustable in two axes

Scope of supply

- Dowel 2 pcs
- Stainless steel screw 2 pcs
- Hinges with metal cap 2 pcs

Order number, Logistic information

Code	EAN	Weight (piece packing palett)	Dimensions (piece packing)	Quantity (packing palett)
P105	8595580547196	0,08 0,08 - kg	62x45x45 mm	1 - pc

Warranty

2/2 years *