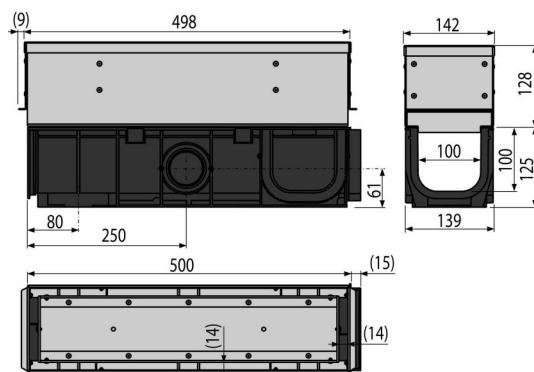


AVZ101S-R121R

Outdoor slotted channel with asymmetrical access cover 100 mm, galvanized steel



Application

For cleaning and maintenance of outdoor drain channels
 For drainage of professional parking areas for passenger cars, pedestrian zones,
 side bands on roads and adjacent sidewalks

Features

- Numerous ribbing for a firm fixation within surrounding material
- Material of access cover: galvanized steel
- Material with UV stabilizer against aging, fading and degradation of plastic
- Material of drain channel: polypropylene filled with talc resistant to mechanical, chemical and thermal damage
- Modular system – optional connection to form "I", "L", "T" or "X" shapes
- Prepared slots for using the locking bars to anchor the drain in concrete
- Sophisticated and solid locking mechanism for simple connection of the individual drains
- Access cover – easy removal for routine maintenance of the drain
- Robust construction – self-supporting
- Lock system allows easy connecting without additional fixing elements

Scope of supply

- Galvanized asymmetrical slotted access cover
- Drain channel body

Order number, Logistic information

Code	EAN	Weight (piece packing palett)	Dimensions (piece packing)	Quantity (packing palett)
AVZ101S-R121R	8595580547363	6,05 6,05 201,6 kg	515x253x139 mm	1 30 pcs

Warranty	Customs code	Norms
2/6 years *	39269097	EN1433

Technical specifications

- Load class C250 25000 kg