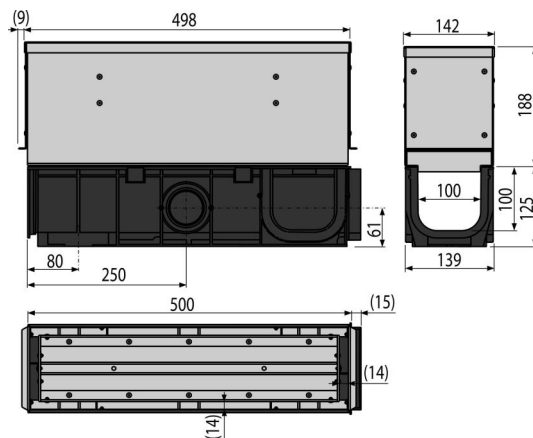


# AVZ101S-R324R

Outdoor slotted channel with symmetrical access cover 160 mm, stainless steel



### Application

For cleaning and maintenance of outdoor drain channels  
 For drainage of professional parking areas for passenger cars, pedestrian zones,  
 side bands on roads and adjacent sidewalks

### Features

- Numerous ribbing for a firm fixation within surrounding material
- Material of access cover: stainless steel AISI 304, DIN 1.4301
- Material with UV stabilizer against aging, fading and degradation of plastic
- Material of drain channel: polypropylene filled with talc resistant to mechanical, chemical and thermal damage
- Modular system – optional connection to form "I", "L", "T" or "X" shapes
- Prepared slots for using the locking bars to anchor the drain in concrete
- Sophisticated and solid locking mechanism for simple connection of the individual drains
- Access cover – easy removal for routine maintenance of the drain
- Robust construction – self-supporting
- Lock system allows easy connecting without additional fixing elements

### Scope of supply

- Stainless steel symmetrical slotted access cover
- Drain channel body

### Order number, Logistic information

Code	EAN	Weight (piece   packing   palett)	Dimensions (piece   packing)	Quantity (packing   palett)
AVZ101S-R324R	8595580547431	8,93   8,93   287,9 kg	1015×313×139   mm	1   30 pcs

### Warranty

2/6 years \*

### Norms

EN1433

### Technical specifications

- Load class C250 25000 kg