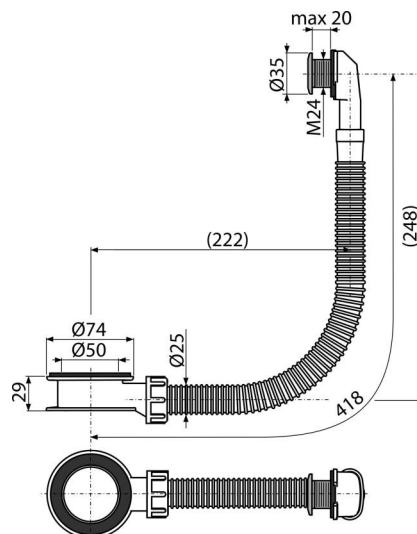


A328CR

Wash-basin overflow, chrome



Application

For sinks without integrated overflow
For wash-basins made of glass, stone or artificial stone

Features

- Chrome overflow cap
- Flexible connection for all shapes of washbasins
- Material: polypropylene

Order number, Logistic information

Code	EAN	Weight (piece packing palett)	Dimensions (piece packing)	Quantity (packing palett)
A328CR	8595580547585	0,11 5,73 111,7 kg	75×400×40 586×386×428 mm	50 800 pcs

Warranty

2/2 years *

Norms

EN 274

Technical specifications

- Max. wall thickness at overflow 20 mm
- Overflow flow rate 16,8 l/min
- Thermal resistance 95 °C