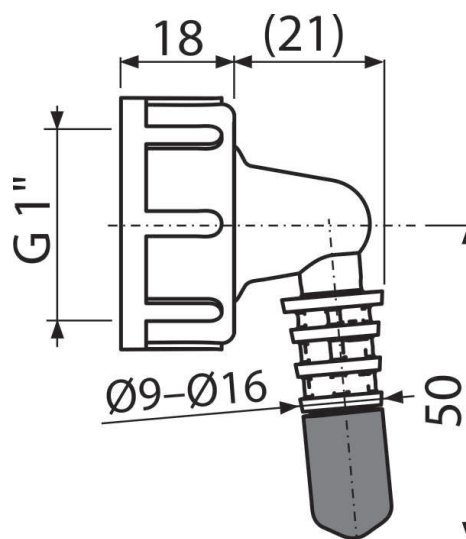


# P0049-ND

Connector set G1"/8-16



### Application

For double connector  
For wash-basin and sink traps with connection

### Features

- Elbow for connecting the electrical appliances: dryers, boilers, air conditioning, heat recovery etc.
- Material: polyamide (PA)

### Scope of supply

- Elbow with nut
- Seal

### Order number, Logistic information

Code	EAN	Weight (piece   packing   palett)	Dimensions (piece   packing)	Quantity (packing   palett)
P0049-ND	8595580547653	0,03   2,64   62,2 kg	66,6x41,4x40   590x390x240 mm	100   1600 pcs

### Warranty

2/2 years \*

### Technical specifications

- Hose connector 8-16 mm
- Thread for connection to the trap 1 "