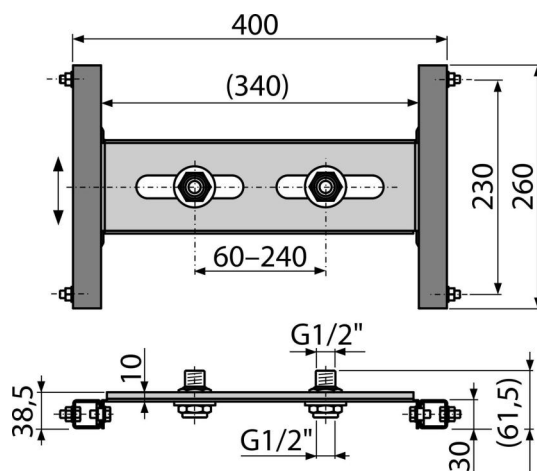


A117B

Mounting frame for faucet in plasterboard structure



Application

For installation wall mounted faucet
For installation in plasterboard structures

Features

- Material: powder-coated metal
- Swivel rail for attaching wall fittings with a pitch of 60–240 mm
- Mounting frame
- Height-adjustable crossbar

Scope of supply

- DG transition G1/2" – 2 pcs
- Mounting frame

Order number, Logistic information

Code	EAN	Weight (piece packing palett)	Dimensions (piece packing)	Quantity (packing palett)
A117B	8595580547714	1,91 38,22 325,7 kg	370×80×140 595×395×435 mm	20 160 pcs

Warranty	Customs code	Norms
2/15 years *	73089098	EN 200

Technical specifications

- Connection fittings G1/2 "