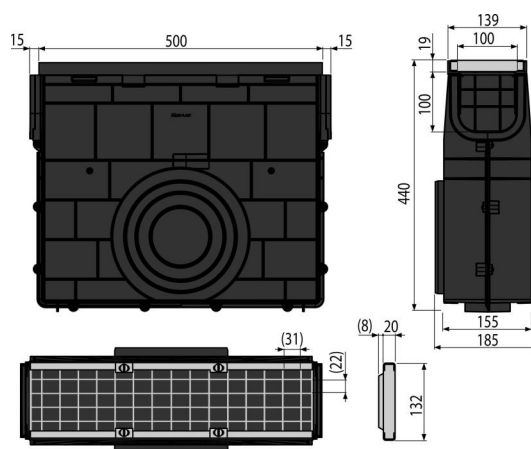


# AVZ102R-R103S

Outdoor drain box for AVZ102 with plastic frame and galvanized grid B125



### Application

For cleaning and maintenance of outdoor drain channels  
For outdoor drain channels AVZ102

### Features

- Side connection to waste DN110, 160, 200 mm
- Numerous ribbing for a firm fixation within surrounding material
- Material with UV stabilizer against aging, fading and degradation of plastic
- Material: polypropylene filled with talc resistant to mechanical, chemical and thermal damage
- Galvanized welded grid – fixed to the drain using four stainless steel screws, mesh size 22x31 mm
- Sophisticated and solid locking mechanism for simple connection of the individual drains
- Robust construction – self-supporting
- Serves to collect dirt and sand from roads and pavements
- Easy access to the floor drain – simple cleaning
- Lock system allows easy connecting without additional fixing elements

### Scope of supply

- Stainless steel screws for fixing the grid to the drain, 4 pcs
- Galvanized grid – load class B125
- Drain box body

### Order number, Logistic information

Code	EAN	Weight (piece   packing   palett)	Dimensions (piece   packing)	Quantity (packing   palett)
AVZ102R-R103S	8595580547806	4,94   4,94   138,5 kg	532x186x442   532x442x186 mm	1   24 pcs

### Warranty

2/6 years \*

### Technical specifications

- Load class B125 12500 kg