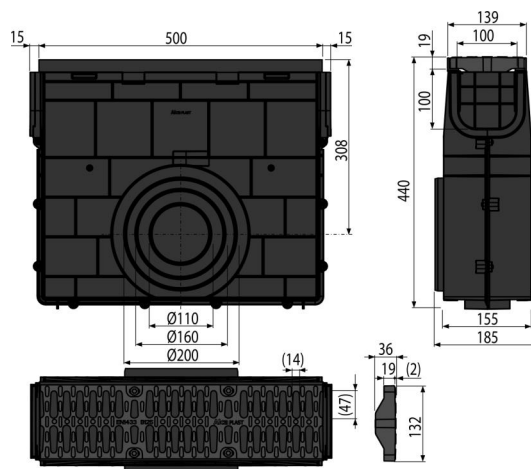


# AVZ104R-R402

Outdoor drain box for AVZ104 with plastic frame and composite grid B125



## Application

For cleaning and maintenance of outdoor drain channels  
For outdoor drain channels AVZ104

## Features

- Side connection to waste DN110, 160, 200 mm
- Numerous ribbing for a firm fixation within surrounding material
- Material with UV stabilizer against aging, fading and degradation of plastic
- Material: polypropylene filled with talc resistant to mechanical, chemical and thermal damage
- Sophisticated and solid locking mechanism for simple connection of the individual drains
- Robust construction – self-supporting
- Composite grid – fixed to the drain with four stainless steel screws, inlet slit width 14 mm
- Serves to collect dirt and sand from roads and pavements
- Easy access to the floor drain – simple cleaning
- Lock system allows easy connecting without additional fixing elements

## Scope of supply

- Composite grid – load class B125
- Stainless steel screws for fixing the grid to the drain, 4 pcs
- Drain box body

## Order number, Logistic information

Code	EAN	Weight (piece   packing   palett)	Dimensions (piece   packing)	Quantity (packing   palett)
AVZ104R-R402	8595580547813	3,99   3,99   115,7 kg	532x186x444   800x1200x1540 mm	1   24 pcs

## Warranty

2/6 years \*

## Technical specifications

- Load class B125 12500 kg