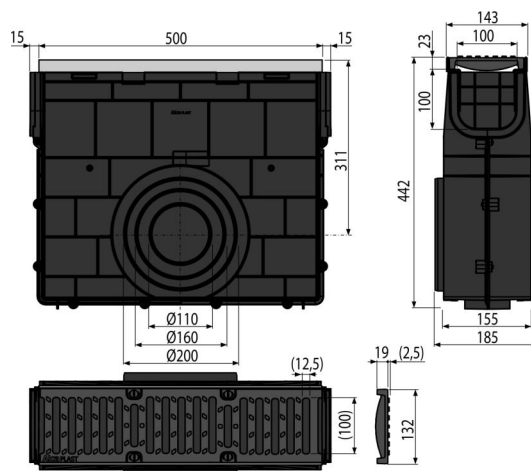


AVZ103R-R202

Outdoor drain box for AVZ103 with metal frame and cast iron grid C250



Application

For cleaning and maintenance of outdoor drain channels
For outdoor drain channels AVZ103

Features

- Side connection to waste DN110, 160, 200 mm
- Numerous ribbing for a firm fixation within surrounding material
- Material with UV stabilizer against aging, fading and degradation of plastic
- Material: polypropylene filled with talc resistant to mechanical, chemical and thermal damage
- Sophisticated and solid locking mechanism for simple connection of the individual drains
- Robust construction – self-supporting
- Cast iron grid – fixed to the drain with four pcs of stainless steel screws, inlet slit width 12.5 mm
- Serves to collect dirt and sand from roads and pavements
- Easy access to the floor drain – simple cleaning
- Lock system allows easy connecting without additional fixing elements

Scope of supply

- Cast iron grid – load class C250
- Stainless steel screws for fixing the grid to the drain, 4 pcs
- Drain box body

Order number, Logistic information

Code	EAN	Weight (piece packing palett)	Dimensions (piece packing)	Quantity (packing palett)
AVZ103R-R202	8595580547837	7,63 7,63 203,0 kg	532x186x444 532x444x186 mm	1 24 pcs

Warranty

2/6 years *

Technical specifications

- Load class C250 25000 kg