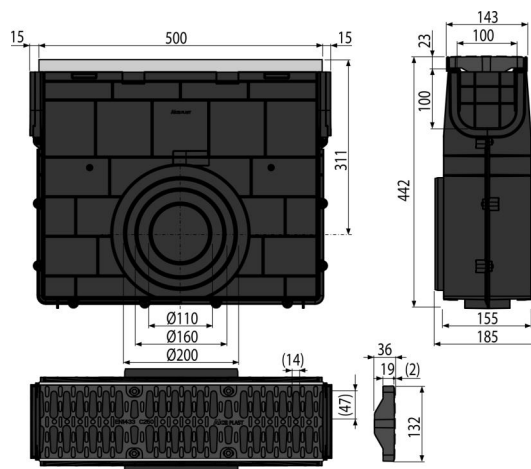


# AVZ103R-R403

Outdoor drain box for AVZ103 with metal frame and composite grid C250



## Application

For cleaning and maintenance of outdoor drain channels  
For outdoor drain channels AVZ103

## Features

- Side connection to waste DN110, 160, 200 mm
- Numerous ribbing for a firm fixation within surrounding material
- Material with UV stabilizer against aging, fading and degradation of plastic
- Material: polypropylene filled with talc resistant to mechanical, chemical and thermal damage
- Sophisticated and solid locking mechanism for simple connection of the individual drains
- Robust construction – self-supporting
- Composite grid – fixed to the drain with four stainless steel screws, inlet slit width 14 mm
- Serves to collect dirt and sand from roads and pavements
- Easy access to the floor drain – simple cleaning
- Lock system allows easy connecting without additional fixing elements

## Scope of supply

- Composite grid – load class C250
- Stainless steel screws for fixing the grid to the drain, 4 pcs
- Drain box body

## Order number, Logistic information

Code	EAN	Weight (piece   packing   pallet)	Dimensions (piece   packing)	Quantity (packing   pallet)
AVZ103R-R403	8595580547844	4,96   4,96   138,9 kg	532×186×444   532×444×186 mm	1   24 pcs

## Warranty

2/6 years \*

## Technical specifications

- Load class C250 25000 kg