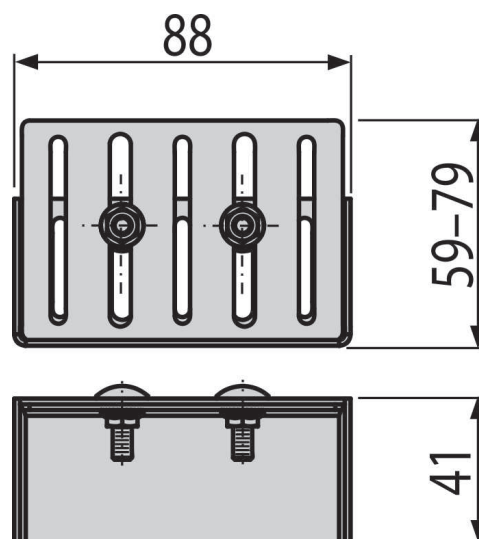


ADZ-P001

End cap for drainage channel 75 mm, stainless steel



Application

For drainage channel ADZ301V

Features

- Material: stainless steel AISI 304, DIN 1.4301
- To end the drainage channel

Scope of supply

- End cap
- Screws and nuts for fixing the end cap to the drain channel 2 pcs

Order number, Logistic information

| Code | EAN | Weight (piece packing palett) | Dimensions (piece packing) | Quantity (packing palett) |
|----------|---------------|--------------------------------------|---------------------------------|--------------------------------|
| ADZ-P001 | 8595580548117 | 0,14 0,14 - kg | 88x59x41 mm | 1 - pc |

Warranty

2/2 years *