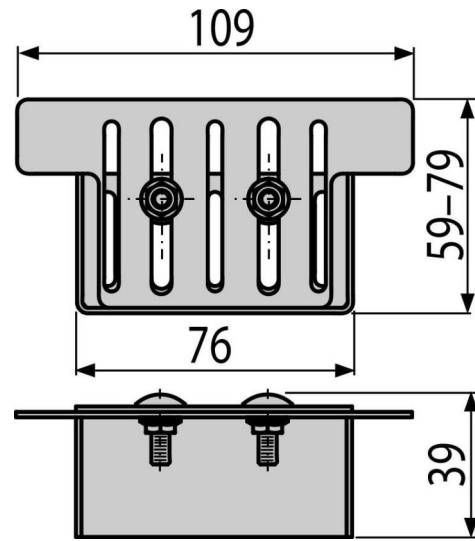
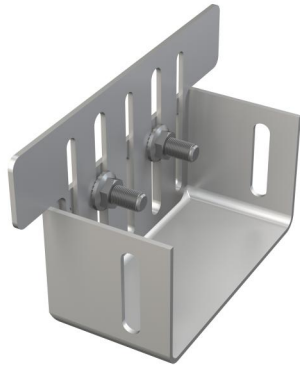


ADZ-P002

End cap for drainage channel 100 mm, stainless steel



Application

For drainage channel ADZ302V

Features

- Material: stainless steel AISI 304, DIN 1.4301
- To end the drainage channel

Scope of supply

- End cap
- Screws and nuts for fixing the end cap to the drain channel 2 pcs

Order number, Logistic information

Code	EAN	Weight (piece packing palett)	Dimensions (piece packing)	Quantity (packing palett)
ADZ-P002	8595580548124	0,12 0,12 - kg	109x59x39 mm	1 - pc

Warranty

2/2 years *

Customs code

73269098