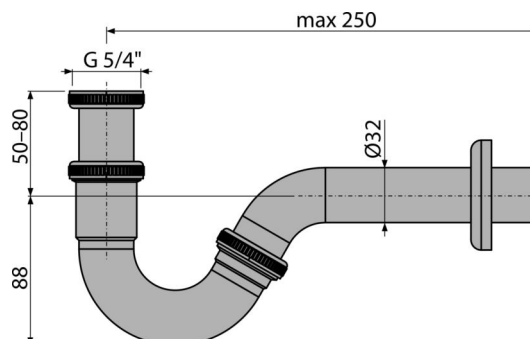


A45G

Bidet trap DN32 metal



Application

For bidets

Features

- Material: chrome-plated metal
- Connection to waste pipe $\varnothing 32$ mm
- Lower construction height
- High scratch resistance

Scope of supply

- Nut to connect bidet waste 5/4"
- Metal rosette
- Waste and trap body

Order number, Logistic information

Code	EAN	Weight (piece packing palett)	Dimensions (piece packing)	Quantity (packing palett)
A45G	8595580550592	0,31 7,80 269,5 kg	235x120x45 mm	25 800 pcs

Warranty

2/3 years *

Customs code

74182000

Norms

EN 274

Technical specifications

- Flow rate 36 l/min
- Thermal resistance 95 °C
- Odour trap 35 mm