

# AM1115/1000 Renovmodul Slim

## Pre-wall installation system for building into solid walls

### Application

For installation of wall-hung WC pans with a connecting pitch of 180 mm or 230 mm

For wall-hung WC

For walling in and around the bearing wall - wet process, installation depth only

86 mm

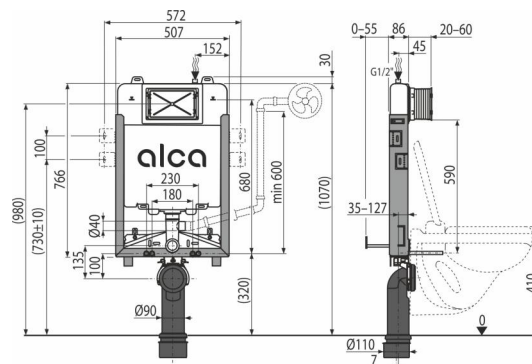
Suitable for reconstruction

### Features

- Dual flush independently adjustable with hygienic reserve
- Compatible with all ALCA flush plates
- The construction of polystyrene insulation prevents condensation forming on the surface of the tank and dampens the vibrations from the tank into the building structure
- The service opening cover simplifies assembly and prevents the penetration of moisture and impurities
- Material of the load bearing structure: galvanized metal
- Installation depth adjustable from 20–60 mm
- Mounting height 1070 mm
- The cistern is made of one piece, thus ensuring 100% impermeability
- Sliding rail holder for the waste connector can be set to eight positions between 0–93 mm
- Galvanized support structure with four hinged brackets for easy installation
- Water supply from the rear/top
- Angle valve with the ability to connect to the Mepla piping system
- Maintenance work without using any tools
- Installation depth 86 mm, with a 125 mm waste elbow
- This technical solution allows anchoring to an uneven surface of the back wall where a cut out was made, in the range of 50 mm
- Removable piece of polystyrene allows for easy access during installation

### Scope of supply

- Fixation material for fixing the WC pan: threaded rod M12 – 2 pcs, washers – 4 pcs, cover – 2 pcs, nut – 2 pcs, thread protector – 2 pcs
- Fixation set: screw Ø8x60 – 4 pcs, dowel Ø12 – 4 pcs
- Waste elbow HT 90/110 polypropylene
- The 2 piece cover of the service opening is simply adjustable
- Cistern with fill and flush valve
- Galvanized frame including supporting structure
- End-caps set for protecting the connecting holes during installation of the system
- Fittings 1/2" water connection with the integrated angle valve Schell 1/2–3/8"
- Drainage seal, PP connector, connector seal
- Inlet seal, PP outlet, wrapping seal



### Order number, Logistic information

Code	EAN	Weight (piece   packing   palett)	Dimensions (piece   packing)	Quantity (packing   palett)
AM1115/1000	8595580551292	9,95   9,95   219,1 kg	1086x528x145   1080x522x140 mm	1   20 pcs

### Warranty

2/15 years \*

### Customs code

39229000

### Norms

EN 14124, EN 14055

### Technical specifications

- Recommended range of water pressure 0,3-0,5 MPa
- Functional range of water pressure 0,05-1,6 MPa
- Hygienic reserve 3 l
- Water volume in the cistern 9 l
- Water connection from the back or top via mounting holes G1/2"
- Factory setting of small flush 3 l
- Factory setting of large flush 6 l
- Load test 400 kg