

AM1101/1200 Sádromodul Slim

Pre-wall installation system for dry build up (plasterboard)

Application

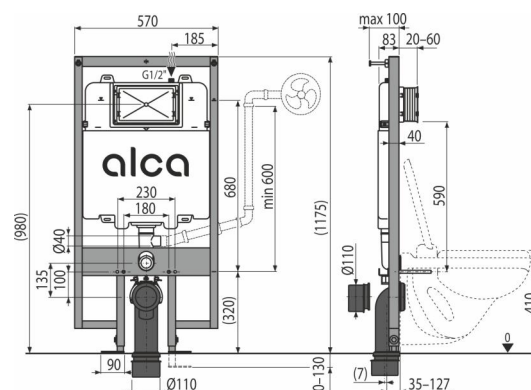
For installing in front of a support wall or into a plasterboard construction,
 installation depth is only 84 mm
 For installation of wall-hung WC pans with a connecting pitch of 180 mm or 230 mm
 For floor thickness 0–100 mm
 For wall-hung WC

Features

- Dual flush independently adjustable with hygienic reserve
- Compatible with all ALCA flush plates
- The construction of polystyrene insulation prevents condensation forming on the surface of the tank and dampens the vibrations from the tank into the building structure
- The frame allows the anchoring to a separate sufficiently strong plasterboard partition, in front of the bearing wall
- The service opening cover simplifies assembly and prevents the penetration of moisture and impurities
- Frame material: powder-coated metal
- Installation depth adjustable from 20–60 mm
- The cistern is made of one piece, thus ensuring 100% impermeability
- The installed module is covered with a plasterboard panel and there is no need for any additional fixing or anchoring elements
- Adjustable telescopic feet, range 0–100 mm
- Water supply from the rear/top
- Angle valve with the ability to connect to the Mepla piping system
- Maintenance work without using any tools
- Installation depth 84 mm
- Visible marks for both leveling and the centerline

Scope of supply

- Fixation material for fixing the WC pan: threaded rod M12 – 2 pcs, washers – 4 pcs, cover – 2 pcs, nut – 2 pcs, thread protector – 2 pcs
- Fixation set: screw Ø8x60 – 8 pcs, dowel Ø12 – 8 pcs
- Waste elbow SLIM HT 90/90/110
- The 2 piece cover of the service opening is simply adjustable
- Cistern with fill and flush valve
- End-caps set for protecting the connecting holes during installation of the system
- Self-supporting frame
- Fittings 1/2" water connection with the integrated angle valve Schell 1/2–3/8"
- Drainage seal, PP connector, connector seal
- Inlet seal, PP outlet, wrapping seal



Order number, Logistic information

Code	EAN	Weight (piece packing palett)	Dimensions (piece packing)	Quantity (packing palett)
AM1101/1200	8595580551384	16,09 16,09 261,4 kg	1210x140x590 1210x590x140 mm	1 15 pcs

Warranty	Customs code	Norms
2/15 years *	39229000	EN 14124, EN 14055

Technical specifications

- Recommended range of water pressure 0,3-0,5 MPa
- Functional range of water pressure 0,05-1,6 MPa
- Hygienic reserve 3 l
- Water volume in the cistern 9 l
- Water connection from the back or top via mounting holes G1/2"
- Factory setting of small flush 3 l
- Factory setting of large flush 6 l
- Load test 400 kg