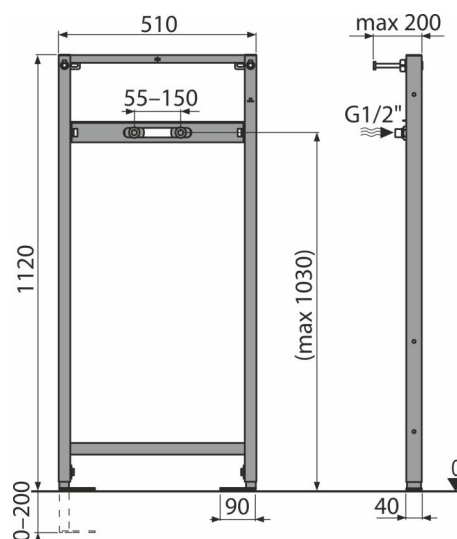


A104B/1120

Mounting frame for faucet



Application

For mounting wall fittings
For mounting in front of a support wall or in to a plasterboard construction

Features

- The frame allows the anchoring to a separate sufficiently strong plasterboard partition, in front of the bearing wall
- Material: powder-coated metal
- Adjustable anchor feet and a spring-lock system, with a range of 0–200 mm
- Self-supporting frame
- Height adjustable partitions

Scope of supply

- Fixation set: screw Ø8x60 – 4 pcs, dowel Ø12 – 4 pcs
- Connection fittings G1/2"–G1/2"
- Mounting frame

Order number, Logistic information

Code	EAN	Weight (piece packing palett)	Dimensions (piece packing)	Quantity (packing palett)
A104B/1120	8595580552695	7,23 7,23 236,9 kg	1125x515x75 1125x515x75 mm	1 30 pcs

Warranty

2/15 years *

Norms

EN 14688

Technical specifications

- Load test 150 kg