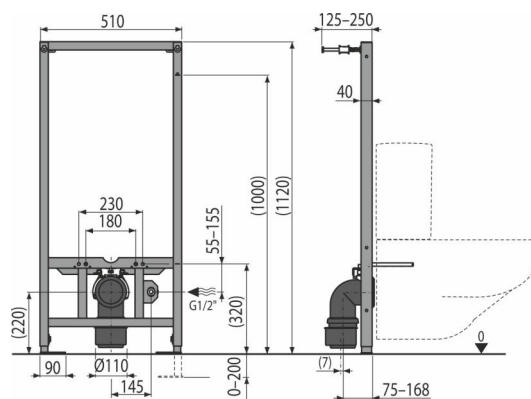


# A113/1120

Mounting frame for wall-hung WC combi



### Application

For mounting in front of a support wall or in to a plasterboard construction  
For wall-hung WC combi

### Features

- The frame allows the anchoring to a separate sufficiently strong plasterboard partition, in front of the bearing wall
- Material: powder-coated metal
- Adjustable anchor feet and a spring-lock system, with a range of 0–200 mm
- Prepared for connecting a bracket with a DG 1/2" conversion for bidet seats and sprays
- Preparing for water connections

### Scope of supply

- Fixation material for fixing the WC pan: threaded rod M12 – 2 pcs, washers – 4 pcs, cover – 2 pcs, nut – 2 pcs, thread protector – 2 pcs
- Fixation set: screw Ø8x60 – 4 pcs, dowel Ø12 – 4 pcs
- Waste elbow set HT 90/110 polypropylene
- Connection fittings G1/2"–G1/2"
- Self-supporting frame

### Order number, Logistic information

Code	EAN	Weight (piece   packing   palett)	Dimensions (piece   packing)	Quantity (packing   palett)
A113/1120	8595580552732	11,12   11,12   186,9 kg	1158x515x140   1158x515x140 mm	1   15 pcs

### Warranty

2/15 years \*

### Technical specifications

- Load test 400 kg