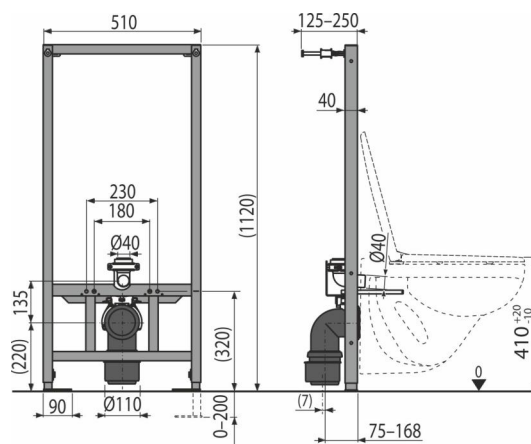


A114/1120

Mounting frame for wall-hung WC



Application

For mounting in front of a support wall or in to a plasterboard construction
For using the pressure flusher
For wall-hung WC with a connecting pitch of 180 mm or 230 mm

Features

- The frame allows the anchoring to a separate sufficiently strong plasterboard partition, in front of the bearing wall
- Material: powder-coated metal
- Adjustable anchor feet and a spring-lock system, with a range of 0–200 mm
- Prepared for connecting a bracket with a DG 1/2" conversion for bidet seats and sprays
- Included in the box is a drainage connector to the sensor or to the manually pressure flusher

Scope of supply

- Fixation material for fixing the WC pan: threaded rod M12 – 2 pcs, washers – 4 pcs, cover – 2 pcs, nut – 2 pcs, thread protector – 2 pcs
- Fixation set: screw Ø8x60 – 4 pcs, dowel Ø12 – 4 pcs
- Waste elbow set HT 90/110 polypropylene
- Water supply joint to the WC pan HT 40
- Self-supporting frame

Order number, Logistic information

Code	EAN	Weight (piece packing palett)	Dimensions (piece packing)	Quantity (packing palett)
A114/1120	8595580552749	11,10 11,10 186,5 kg	1158x515x140 1158x515x140 mm	1 15 pcs

Warranty

2/15 years *

Technical specifications

- Load test 400 kg