

APZ16-850 Wall

Shower drain with an edge for full grids and fixed vertical flange to the wall

Application

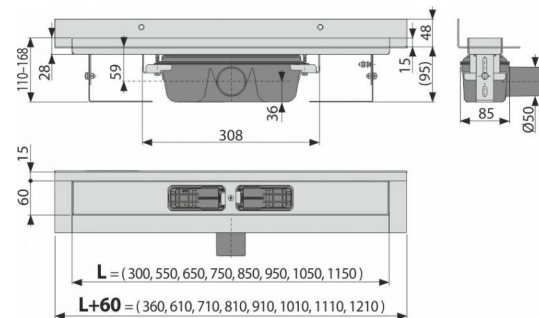
- For wheelchair access
- For drainage of floor-level showers
- For installation directly to the wall
- For full grids, grid FLOOR for embedding tiles and prismatic grid GAP
- For indoor use

Features

- The collar and trap are protected by foil, and the channel itself by a polystyrene insert
- Trap material: polypropylene
- Mechanically cleanable trap up to the waste pipe
- Possibility to buy a combined odour trap
- Linear drain from stainless steel (hardened by pickling, passivation and electrochemical polishing)
- For inserting full grids - stainless steel, tempered glass, synthetic stone, grid for embedding tiles and prismatic grid
- Self-adhesive waterproofing tape for quality waterproofing
- The trap is firmly connected to the drain channel - 100% waterproofing
- Installation height from 95 mm
- Adjustable height
- The high flow rate is achieved due to the double compartment trap system
- 25 years guarantee

Scope of supply

- Anchoring set for fixing the adjustable legs: screw M6×12 - 2 pcs
- Installation channel cover
- Anchoring set: screw Ø6×50 - 2 pcs, dowel Ø10 - 2 pcs, screw Ø4,2×38 - 3 pcs, dowel Ø8 - 3 pcs
- The collar and the odour trap inlet are covered by the protective foil
- Self-adhesive waterproofing tape
- The shower drain is assembled with the odour trap



Order number, Logistic information

Code	EAN	Weight (kus packing palett)	Dimensions (piece packing)	Quantity (packing palett)	
APZ16-850	8595580553050	850 mm	4,4987 35,9896 127,9688 kg	920×205×106 mm	8 24 pcs

Guarantee	Customs code	Norms
2/25 years	39229000	EN 1253

Technical specifications

- Total installation height 110-168 mm
- Minimum thickness of concrete 95 mm
- Resistance of odour trap against the pressure 982 Pa
- Waste pipe diameter 50 mm
- Flow rate 60-68,8 l/min
- Load class K3 300 kg
- Odour trap 50 mm