

# APZ5-TWIN-1050 Spa

Waste system for installation in walls, cover for embedding tiles

## Application

For wheelchair access

For installation into the wall

For indoor use

Suitable for areas with movement of large number of people – swimming pools,

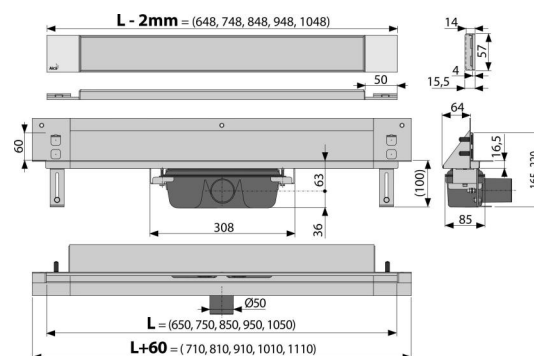
spa, wellness center

## Features

- Completely cleanable trap up to the waste pipe
- Complete technical and design solutions
- Possibility to buy a combined odour trap
- COMPLETE PACKAGE INCLUDING ALL ACCESSORIES
- Linear drain from stainless steel (hardened by pickling, passivation and electrochemical polishing)
- Waterproof adhesive tape part of the packaging
- Trap firmly connected to the drain – 100% waterproofing
- Installation depth 64 mm
- Including easily removable cover - for insertion into the thickness of 12 mm
- Water flows into the drain only between the edge of the floor tiles and the cover of the drain system
- 25 years guarantee

## Scope of supply

- Fixing hardware for anchoring the adjustable legs: screw M6×12 – 2 pcs
- Anchoring set: screw Ø6×50 – 2 pcs, dowel Ø10 – 2 pcs, screw Ø4.2×38 – 3 pcs, dowel Ø8 – 3 pcs
- Installation channel cover
- Stainless steel cover for embedding tiles
- The collar and the odour trap inlet are covered by the protective foil
- Self-adhesive waterproofing tape
- The shower drain is assembled with the odour trap



## Order number, Logistic information

Code	EAN	Weight (piece   packing   palett)	Dimensions (piece   packing)	Quantity (packing   palett)
APZ5-TWIN-1050	8595580553739	6,15   49,23   167,7 kg	1120×160×205   mm	8   24 pcs

Warranty	Customs code	Norms
2/25 years *	39229000	EN 1253

## Technical specifications

- Total installation height 165-220 mm
- Minimum thickness of concrete 100 mm
- Resistance of odour trap against the pressure 982 Pa
- Waste pipe diameter 50 mm
- Flow rate 60-68,8 l/min
- Cover width 60 mm
- Installation depth 64 mm
- Odour trap 50 mm