

# APZ5-TWIN-750 Spa

Waste system for installation in walls, cover for embedding tiles

## Application

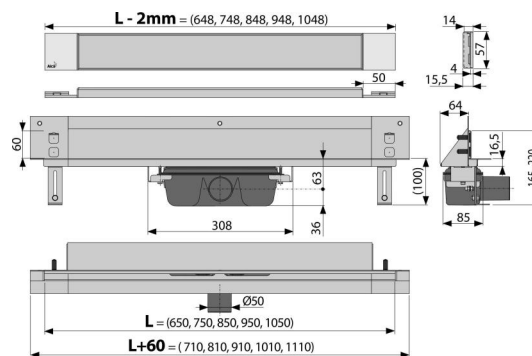
For wheelchair access  
 For installation into the wall  
 For indoor use  
 Suitable for areas with movement of large number of people – swimming pools, spa, wellness center

## Features

- Easily removable cover - for tile insertion into the thickness of 12 mm
- The collar and trap are protected by foil, and the channel itself by a polystyrene insert
- Trap material: polypropylene
- Material of drainage channel: stainless steel AISI 304, DIN 1.4301
- Mechanically cleanable trap up to the waste pipe
- Possibility to buy a combined odour trap
- Possibility to order with LED backlight
- Linear drain from stainless steel (hardened by pickling, passivation and electrochemical polishing)
- Self-adhesive tape for quality waterproofing
- Trap firmly connected to the drain – 100% waterproofing
- Installation depth 64 mm
- The system is placed outside the area of mechanical stress
- Water flows into the drain only between the edge of the floor tiles and the cover of the drain system
- The high flow rate is achieved due to the double compartment trap system
- 25 years guarantee

## Scope of supply

- Fixing hardware for anchoring the adjustable legs: screw M6x12 – 2 pcs
- Anchoring set: screw Ø6x50 – 2 pcs, dowel Ø10 – 2 pcs, screw Ø4.2x38 – 3 pcs, dowel Ø8 – 3 pcs
- Installation channel cover
- Stainless steel cover for embedding tiles
- The collar and the odour trap inlet are covered by the protective foil
- Self-adhesive waterproofing tape
- The shower drain is assembled with the odour trap



## Order number, Logistic information

| Code          | EAN           | Weight<br>(piece   packing   palett) | Dimensions<br>(piece   packing) | Quantity<br>(packing   palett) |
|---------------|---------------|--------------------------------------|---------------------------------|--------------------------------|
| APZ5-TWIN-750 | 8595580553753 | 4,84   38,73   136,2 kg              | 820x160x205   820x700x375 mm    | 8   24 pcs                     |

| Warranty     | Customs code | Norms   |
|--------------|--------------|---------|
| 2/25 years * | 39229000     | EN 1253 |

## Technical specifications

- Total installation height 165-220 mm
- Minimum thickness of concrete 100 mm
- Resistance of odour trap against the pressure 982 Pa
- Waste pipe diameter 50 mm
- Flow rate 60-68,8 l/min
- Cover width 60 mm
- Installation depth 64 mm
- Odour trap 50 mm