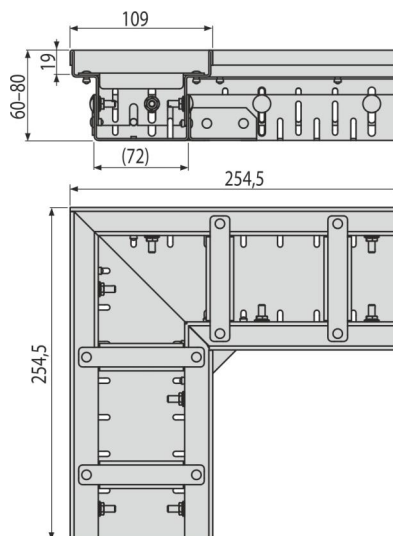
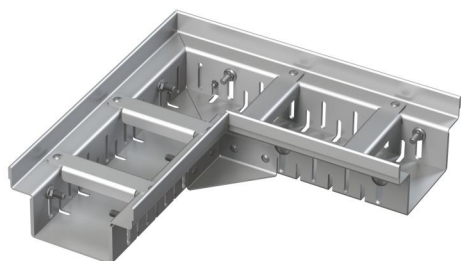


ADZ302VR

Drainage corner channel 100 mm adjustable, stainless steel



Application

- To protect buildings against the ingress of water
- For drainage of balconies and terraces
- For drainage around the building facades
- For permeable areas in the garden

Features

- Fixing bolts – ensure perfect attachment of the grid in the channel and eliminate the sound effect during the use of the channel
- Simple installation
- Simple connection thanks to the accessories
- Material of drainage channel: stainless steel AISI 304, DIN 1.4301
- Stainless steel grid width 100 mm
- Easy access to the drain – easy to clean
- Height adjustable drainage channel body 60–80 mm

Scope of supply

- Spacer 4 pcs
- Drainage channel adjustable

Order number, Logistic information

Code	EAN	Weight (piece packing palett)	Dimensions (piece packing)	Quantity (packing palett)
ADZ302VR	8595580554811	1,59 1,59 - kg	254,5x254,5x60 mm	1 - pc

Warranty

2/25 years *

Technical specifications

- Load class K3 300 kg