

# AM101/1500L Medic Assistant

Pre-wall installation system for dry build up, height adjustable – for people with reduced mobility

## Application

For installation on finished floor

For mounting in front of a support wall or into a plasterboard construction – for people with reduced mobility (e.g. after surgery)

For installation of wall-hung WC pans with a connecting pitch of 180 mm or 230 mm

mm

For height adjustment of the WC bowl in range up to 300 mm

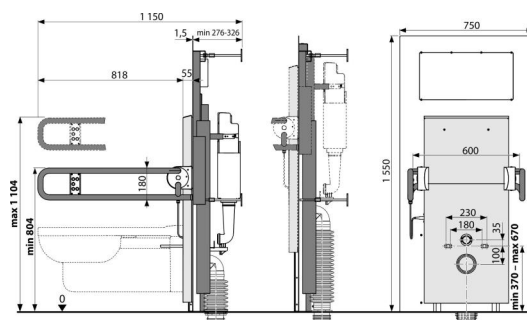
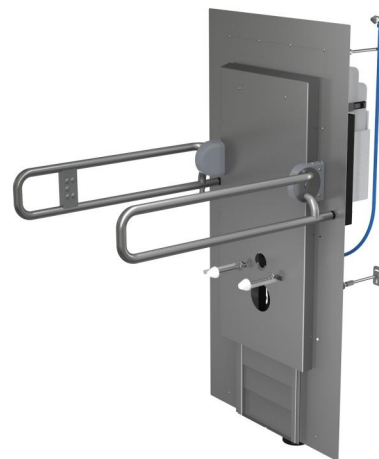
For wall-hung WC

## Features

- Dual flush independently adjustable with hygienic reserve
- Electric linear drive – actuator that allows to adjust the height of the WC bowl in the range of 300 mm
- Wall mounting with adjustable depth in range 276– 326 mm
- The construction of polystyrene insulation prevents condensation forming on the surface of the tank and dampens the vibrations from the tank into the building structure
- Frame construction for dry installation in front of a support wall with a stainless steel cover panel
- Frame material: powder-coated metal
- The cistern is made of one piece, thus ensuring 100% impermeability
- The installed system is covered with a stainless steel cover panel AISI 316L and there is no need for any additional fixing or anchor elements.
- Folding handles with electronic control panel that allows for dual flushing and height adjustment of the toilet bowl

## Scope of supply

- Two folding handles with electric linear drive
- Electric linear drive – actuator
- Fixation material for fixing the WC pan: threaded rod M12 – 2 pcs, washers – 4 pcs, cover – 2 pcs, nut – 2 pcs, thread protector – 2 pcs
- Fixation set: screw Ø8x60 – 60 pcs, dowel Ø12 – 6 pcs, washer – 6 pcs
- Flexible connection to waste
- Elbow waste connector HT 90/110 polyethylene, PE-HD
- Cistern with fill and flush valve
- Cover panel made of resistant stainless steel AISI 316L (1.4404)
- Self-supporting frame
- Waste sealing, polypropylene connector, connector sealing, installation cap
- Inlet seal, polypropylene outlet, wrapping seal, installation cover



## Order number, Logistic information

Code	EAN	Weight (piece   packing   palett)	Dimensions (piece   packing)	Quantity (packing   palett)
AM101/1500L	8595580554828	191,06   191,06   211,1 kg	1686x835x654   1686x835x654 mm	1   1 pcs

## Warranty

2/15 years \*

## Technical specifications

- Recommended range of water pressure 0,3-0,5 MPa
- Functional range of water pressure 0,15-1,6 MPa
- Hygienic reserve 3 l
- Small flush 2-9 l
- Power supply 100–240 V AC, 50/60 Hz, 2500 mA
- Water volume in the cistern 9 l
- Water connection from the back using the angle valve G3/8 "
- Operational load of handles 200 kg
- Factory setting of small flush 3 l
- Factory setting of large flush 6 l
- Big flush 2-9 l
- Load test for the load capacity of WC bowl 400 kg