

ASP4

Automatic flushing system for urinal, chrome, 12 V (AC power supply)

Application

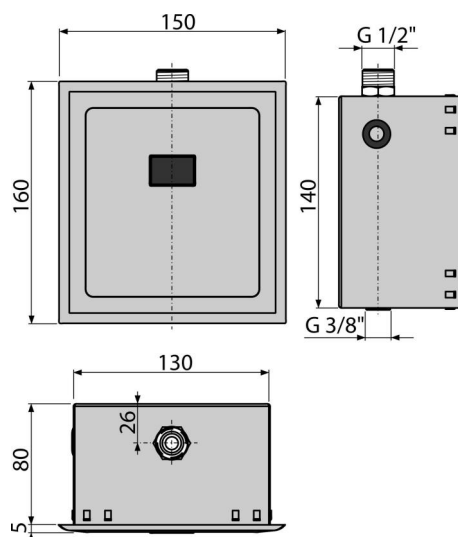
- For automatic flushing of urinals
- For mounting frame A1075
- For installing into the urinal mounting elements
- For installation in plasterboard structures as well as walling-in

Features

- Material: stainless steel, chrome plated plastic
- Powered by the main electric supply, the power source must be purchased (12 V DC min 1 A) – recommended AEZ310
- Setting via mini USB using free software available on the Alca website
- Adjustable parameters: start and end time of registration, duration of flushing, automatic flush, allowing flooding, flooding time, variable settings hygienic rinse
- The removable cover plate – a combination of stainless steel/chrome-plated plastic
- Saving water using an adjustable flushing time

Scope of supply

- Sensor box made of stainless steel
- Fixation set for attaching the box on the frame: screw 3.5x16 – 4 pcs
- Fixing material for attaching the covering frame: screw 3.5x32 – 4 pcs
- Infrared sensor adjustable via a USB port
- Plastic chromed cover frame
- Suction pad for removing the cover plate
- Tile template
- Screw set with valve
- Screw fitting G1/2"
- Waterproof power connector



Order number, Logistic information

Code	EAN	Weight (piece packing palett)	Dimensions (piece packing)	Quantity (packing palett)
ASP4	8595580554897	1,67 26,76 448,1 kg	175x137x160 595x435x395 mm	16 256 pcs

Warranty	Customs code	Norms
2/2 years *	84818019	EN 55014, EN 55022, EN 61000

Technical specifications

- Time adjustment of valve opening 1-30 s
- Maximum pressure 0,8 MPa
- Sensor power supply: 5-12 V DC
- Consumption (idle at the lowest scanning speed) 0,3 mA
- Optimal operating pressure 0,1-0,5 MPa
- Power consumption 8,5 W
- Water flow at a pressure of 0.3 Mpa 1,3 l
- Fittings G $\frac{1}{2}$ "
- Wavelength equipment 950 nm
- Output max. 800 mA
- Sensing distance: 0,15-1,5 m