

# ASP4-B

Automatic flushing system for urinal, chrome, 6 V (DC battery operated)

### Application

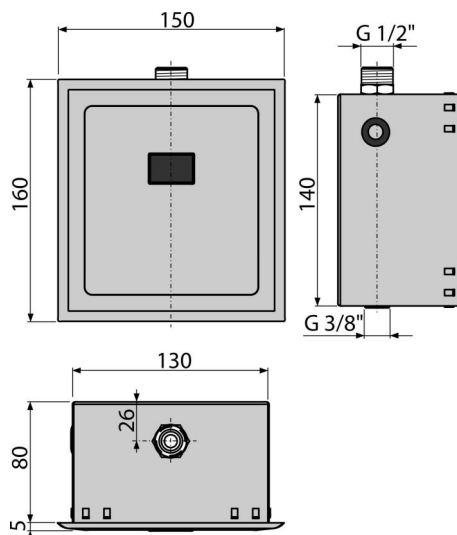
- For automatic flushing of urinals
- For mounting frame A107S
- For installing into the urinal mounting elements
- For installation in plasterboard structures as well as walling-in

### Features

- Pulse valve control
- Material: stainless steel, chrome plated plastic
- Battery power supply 6 V
- Setting via mini USB using free software available on the Alca website
- Adjustable parameters: start and end time of registration, duration of flushing, automatic flush, allowing flooding, flooding time, variable settings hygienic rinse
- The removable cover plate – a combination of stainless steel/chrome-plated plastic
- Savings of water and electricity

### Scope of supply

- Battery box for 4xAA batteries 1.5 V
- Sensor box made of stainless steel
- Fixation set for attaching the box on the frame: screw 3.5x16 – 4 pcs
- Fixing material for attaching the covering frame: screw 3.5x32 – 4 pcs
- Infrared sensor adjustable via a USB port
- Plastic chromed cover frame
- Suction pad for removing the cover plate
- Tile template
- Screw set with a solenoid valve
- Screw fitting G1/2"
- Waterproof power connector



### Order number, Logistic information

Code	EAN	Weight (piece   packing   palett)	Dimensions (piece   packing)	Quantity (packing   palett)
ASP4-B	8595580554903	1,72   27,52   460,3 kg	175x137x160   595x435x395 mm	16   256 pcs

### Warranty

2/2 years \*

### Norms

EN 55014, EN 55022, EN 61000

### Technical specifications

- Time adjustment of valve opening 1-30 s
- Maximum pressure 0,8 MPa
- Sensor power supply: 5-12 V DC
- Consumption (idle at the lowest scanning speed) 0,3 mA
- Optimal operating pressure 0,1-0,5 MPa
- Water flow at a pressure of 0.3 Mpa 1,3 l
- Fittings G½ "
- Wavelength equipment 950 nm
- Output max. 800 mA
- Sensing distance: 0,15-1,5 m